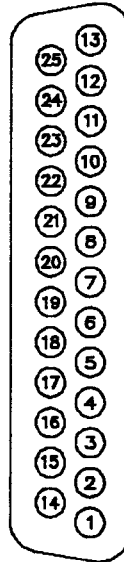


# MM-500 MONO MIC INPUT

DB-25 I/O CONNECTORS (VIEWED FROM UNDERNEATH CONSOLE)

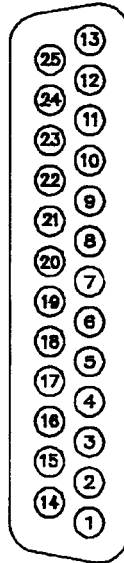
## UPPER

N/C  
GROUND  
TALKBACK OUT LO  
GROUND  
INSERT IN LO  
GROUND  
INSERT OUT LO  
GROUND  
GROUND  
MIC INPUT B HI  
GROUND  
MIC INPUT A HI



N/C  
N/C  
TALKBACK OUT SH  
TALKBACK OUT HI  
INSERT IN SH  
INSERT IN HI  
INSERT OUT SH  
INSERT OUT HI  
GROUND  
MIC INPUT B SH  
MIC INPUT B LO  
MIC INPUT A SH  
MIC INPUT A LO

N/C  
A REMOTE COMMON  
TO REMOTE OFF SW LAMP  
FROM REMOTE ON SW LAMP  
N/C  
N/C  
N/C  
FROM REMOTE ON SW A  
FROM REMOTE OFF SW A  
A COUGH  
MOMENTARY ON  
TO EXTERNAL CUE SW



N/C  
N/C  
B REMOTE COMMON  
TO REMOTE ON SW LAMP  
FROM REMOTE OFF SW LAMP  
FROM EXT CUE SW  
N/C  
N/C  
FROM REMOTE ON SW B  
FROM REMOTE OFF SW B  
B COUGH  
MOMENTARY ON  
N/C

## LOWER

MM-500 MONO MIC INPUT

A-500a RADIO ON-AIR CONSOLE

10-4-88

Wheatstone Corporation  
8720 V.I.P. Parkway  
Syracuse, NY. 13211

MS

NO SCALE

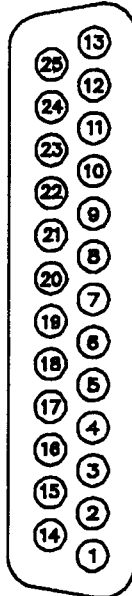
DB-25 CONNECTOR PINOUTS

# SL-500 STEREO LINE INPUT

DB-25 I/O CONNECTORS (VIEWED FROM UNDERNEATH CONSOLE)

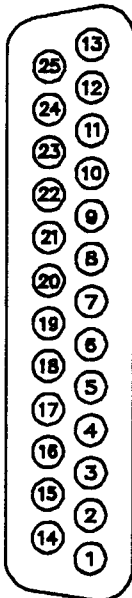
## UPPER (AUDIO)

INSERT IN RT LO  
 INSERT OUT RT LO  
 INSERT IN LT LO  
 INSERT OUT LT LO  
 GROUND  
 INPUT B RT LO  
 GROUND  
 INPUT B LT LO  
 GROUND  
 INPUT A RT LO  
 GROUND  
 INPUT A LT LO



N/C  
 INSERT IN RT HI  
 INSERT IN LT HI  
 INSERT OUT RT HI  
 INSERT OUT LT HI  
 INPUT B RT SH  
 INPUT B RT HI  
 INPUT B LT SH  
 INPUT B LT HI  
 INPUT A RT SH  
 INPUT A RT HI  
 INPUT A LT SH  
 INPUT A LT HI

N/C  
 A REMOTE COMMON  
 B REMOTE START  
 B REMOTE STOP  
 EXTERNAL ON  
 EXTERNAL OFF  
 EXTERNAL SOURCE  
 FROM EXTERNAL CUE SW  
 TO EXTERNAL CUE SW  
 A READY  
 A TALLY ON  
 DIGITAL COMMON



N/C  
 N/C  
 B REMOTE COMMON  
 A REMOTE START  
 A REMOTE STOP  
 EXTERNAL ON  
 EXTERNAL OFF  
 SEQUENCE IN\*  
 N/C  
 SEQUENCE OUT\*  
 B READY  
 B TALLY ON  
 DIGITAL COMMON


## LOWER (CONTROL)

\*NOTE: "Sequence In" and "Sequence Out" connections are available only on SL-500s or SL-500as modules.

### SL-500 STEREO LINE INPUT

A-500a RADIO ON-AIR CONSOLE

11-22-89

 Wheatstone Corporation  
 6720 V.I.P. Parkway  
 Syracuse, NY 13211

GAZ

REVISED

MODULE CONNECTIONS

DO NOT SCALE

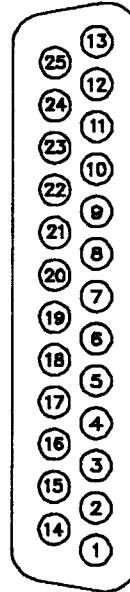
DB-25 CONNECTOR PINOUTS

# OM-500 OUTPUT MASTER

DB-25 I/O CONNECTORS (VIEWED FROM UNDERNEATH CONSOLE)

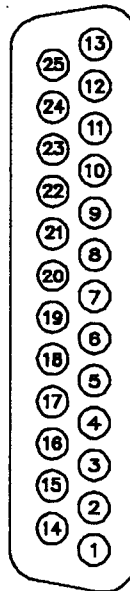
## UPPER

AUD RT INS IN LO  
 AUD RT INS OUT LO  
 AUD LT INS IN LO  
 AUD LT INS OUT LO  
 MUSIC RT INS IN LO  
 MUSIC RT INS OUT LO  
 MUSIC LT INS IN LO  
 MUSIC LT INS OUT LO  
 SPEECH RT INS IN LO  
 SPEECH RT INS OUT LO  
 SPEECH LT INS IN LO  
 SPEECH LT INS OUT LO



N/C  
 AUD RT INS IN HI  
 AUD RT INS OUT HI  
 AUD LT INS IN HI  
 AUD LT INS OUT HI  
 MUSIC RT INS IN HI  
 MUSIC RT INS OUT HI  
 MUSIC LT INS IN HI  
 MUSIC LT INS OUT HI  
 SPEECH RT INS IN HI  
 SPEECH RT INS OUT HI  
 SPEECH LT INS IN HI  
 SPEECH LT INS OUT HI

AUD RT OUT SH  
 AUD RT OUT LO  
 AUD RT OUT HI  
 AUD LT OUT SH  
 AUD LT OUT LO  
 AUD LT OUT HI  
 PGM RT OUT SH  
 PGM RT OUT LO  
 PGM RT OUT HI  
 PGM LT OUT SH  
 PGM LT OUT LO  
 PGM LT OUT HI




N/C  
 AUD RT OUT SH  
 AUD RT OUT LO  
 AUD RT OUT HI  
 AUD LT OUT SH  
 AUD LT OUT LO  
 AUD LT OUT HI  
 PGM RT OUT SH  
 PGM RT OUT LO  
 PGM RT OUT HI  
 PGM LT OUT SH  
 PGM LT OUT LO  
 PGM LT OUT HI

## LOWER

OM-500 OUTPUT MASTER

A-500a RADIO ON-AIR CONSOLE

10-4-88

 Wheatstone Corporation  
 8720 V.I.P. Parkway  
 Syracuse, NY. 13211

MS

NO SCALE

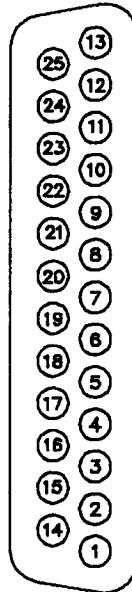
DB-25 CONNECTOR PINOUTS

# MO-500 MONO OUTPUT

DB-25 I/O CONNECTORS (VIEWED FROM UNDERNEATH CONSOLE)

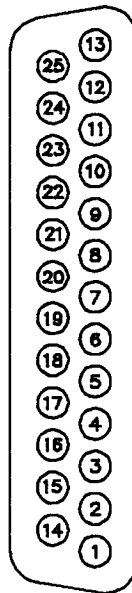
## UPPER

GROUND  
 MONO SUM INS IN LO  
 MONO SUM INS IN SH  
 MONO SUM INS OUT LO  
 GROUND  
 AUX RT INS IN LO  
 AUX RT INS IN SH  
 AUX RT INS OUT LO  
 GROUND  
 AUX LT INS IN LO  
 AUX LT INS IN SH  
 AUX LT INS OUT LO



N/C  
 GROUND  
 MONO SUM INS IN HI  
 MONO SUM INS OUT SH  
 MONO SUM INS OUT HI  
 GROUND  
 AUX RT INS IN HI  
 AUX RT INS OUT SH  
 AUX RT INS OUT HI  
 GROUND  
 AUX LT INS IN HI  
 AUX LT INS OUT SH  
 AUX LT INS OUT HI

N/C  
 N/C  
 N/C  
 MONO SUM OUT SH  
 MONO SUM OUT LO  
 MONO SUM OUT HI  
 AUX RT OUT SH  
 AUX RT OUT LO  
 AUX RT OUT HI  
 AUX LT OUT SH  
 AUX LT OUT LO  
 AUX LT OUT HI



N/C  
 N/C  
 N/C  
 N/C  
 MONO SUM OUT SH  
 MONO SUM OUT LO  
 MONO SUM OUT HI  
 AUX RT OUT SH  
 AUX RT OUT LO  
 AUX RT OUT HI  
 AUX LT OUT SH  
 AUX LT OUT LO  
 AUX LT OUT HI

## LOWER

### MO-500 MONO OUTPUT

A-500a RADIO ON-AIR CONSOLE

10-4-88

 Wheatstone Corporation  
 6720 V.I.P. Parkway  
 Syracuse, NY. 13211

MS

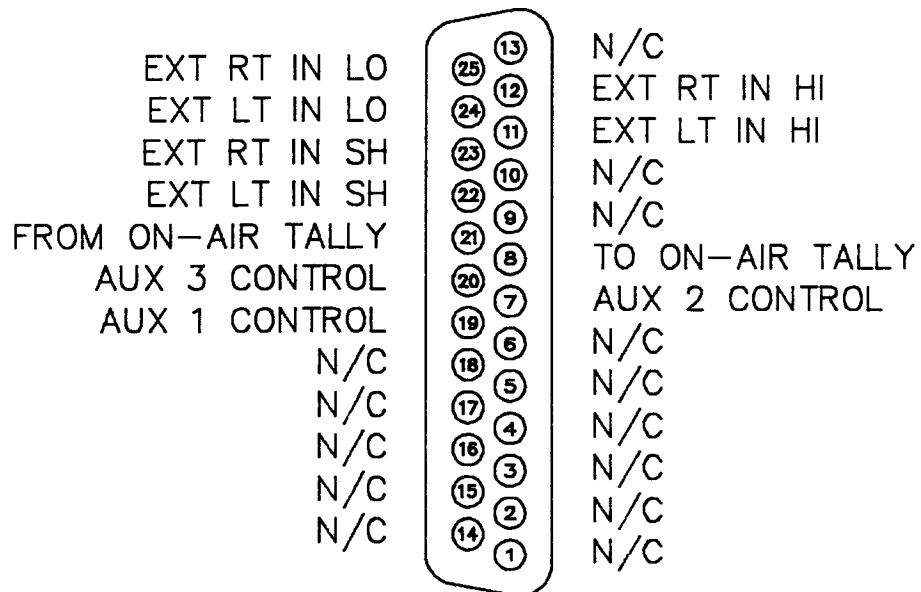
NO SCALE

DB-25 CONNECTOR PINOUTS

# MA-500 MATRIX MASTER

DB-25 I/O CONNECTOR (VIEWED FROM UNDERNEATH CONSOLE)

LOWER ONLY



MA-500 MATRIX MASTER

A-500a RADIO ON-AIR CONSOLE

10-4-88

Wheatstone Corporation  
6720 V.I.P. Parkway  
Syracuse, NY. 13211

MS

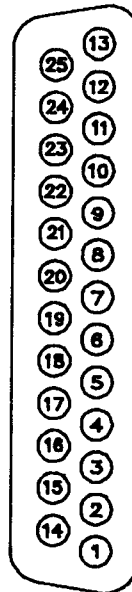
NO SCALE DB-25 CONNECTOR PINOUTS

# CR-500 CONTROL ROOM

DB-25 I/O CONNECTORS (VIEWED FROM UNDERNEATH CONSOLE)

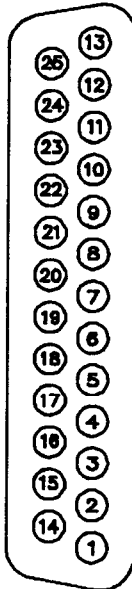
## UPPER

EXT 4 RT IN LO  
 EXT 4 RT IN SH  
 EXT 4 LT IN LO  
 EXT 3 RT IN LO  
 EXT 3 RT IN SH  
 EXT 3 LT IN LO  
 EXT 2 RT IN LO  
 EXT 2 RT IN SH  
 EXT 2 LT IN LO  
 EXT 1 RT IN LO  
 EXT 1 RT IN SH  
 EXT 1 LT IN LO



N/C  
 EXT 4 RT IN HI  
 EXT 4 LT IN SH  
 EXT 4 LT IN HI  
 EXT 3 RT IN HI  
 EXT 3 LT IN SH  
 EXT 3 LT IN HI  
 EXT 2 RT IN HI  
 EXT 2 LT IN SH  
 EXT 2 LT IN HI  
 EXT 1 RT IN HI  
 EXT 1 LT IN SH  
 EXT 1 LT IN HI

HDPN LT OUT LO  
 HDPN RT OUT LO  
 CR RT OUT LO  
 CR RT OUT SH  
 CR LT OUT LO  
 CUE OUT SH  
 CUE OUT HI  
 HDPN JACK TIP\*  
 N/C  
 N/C  
 N/C  
 N/C



N/C  
 HDPN LT OUT HI  
 HDPN RT OUT HI  
 CR RT OUT HI  
 CR LT OUT SH  
 CR LT OUT HI  
 CUE OUT LO  
 \*HDPN JACK SLEEVE  
 \*HDPN JACK RING  
 N/C  
 N/C  
 N/C  
 N/C

\*S/N 16322 and above

## LOWER

### CR-500 CONTROL ROOM

A-500a RADIO ON-AIR CONSOLE

11-10-89	Wheatstone Corporation 8720 V.I.P. Parkway Syracuse, NY. 13211
CAZ	

MODULE CONNECTIONS

DO NOT SCALE DB-25 CONNECTOR PINOUTS

# SC-500 STUDIO CONTROL

DB-25 I/O CONNECTOR (VIEWED FROM UNDERNEATH CONSOLE)

LOWER ONLY

STUDIO 2 RT OUT LO	②⑤	⑬	N/C
STUDIO 2 RT OUT SH	②④	⑫	STUDIO 2 RT OUT HI
STUDIO 2 LT OUT LO	②③	⑪	N/C
STUDIO 3 LT OUT LO	②②	⑩	STUDIO 2 LT OUT HI
STUDIO 2 LT OUT SH	②①	⑨	STUDIO 3 LT OUT HI
STUDIO 1 LT OUT LO	②①	⑧	STUDIO 1 LT OUT SH
STUDIO 3 RT OUT LO	②①	⑦	STUDIO 1 LT OUT HI
STUDIO 3 RT OUT SH	①⑨	⑥	STUDIO 3 RT OUT HI
STUDIO 1 RT OUT LO	①⑧	⑤	STUDIO 1 RT OUT SH
STUDIO 3 LT OUT SH	①⑦	④	STUDIO 1 RT OUT HI
N/C	①⑥	③	N/C
N/C	①⑤	②	N/C
N/C	①④	①	N/C

SC-500 STUDIO CONTROL

A-500a RADIO ON-AIR CONSOLE

10-4-88

Wheatstone Corporation  
8720 V.I.P. Parkway  
Syracuse, NY. 13211

MS

NO SCALE

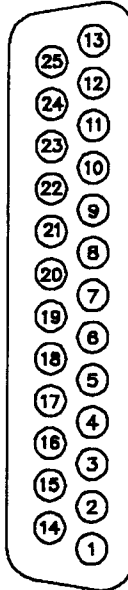
DB-25 CONNECTOR PINOUTS

# MXM-500 MIX-MINUS

DB-25 I/O CONNECTORS (VIEWED FROM UNDERNEATH CONSOLE)

## UPPER

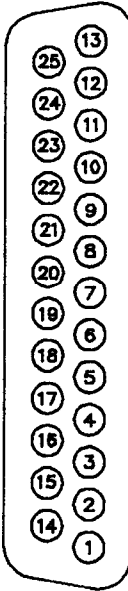
HYBRID 4 INS OUT LO  
 HYBRID 3 INS OUT LO  
 HYBRID 2 INS OUT LO  
 HYBRID 1 INS OUT LO  
 PHONE 4 INPUT SH  
 PHONE 4 INPUT SH  
 PHONE 3 INPUT SH  
 PHONE 3 INPUT SH  
 PHONE 2 INPUT SH  
 PHONE 2 INPUT SH  
 PHONE 1 INPUT SH  
 PHONE 1 INPUT SH



N/C

HYBRID 4 INS OUT HI  
 HYBRID 3 INS OUT HI  
 HYBRID 2 INS OUT HI  
 HYBRID 1 INS OUT HI  
 PHONE 4 INPUT LO  
 PHONE 4 INPUT HI  
 PHONE 3 INPUT LO  
 PHONE 3 INPUT HI  
 PHONE 2 INPUT LO  
 PHONE 2 INPUT HI  
 PHONE 1 INPUT LO  
 PHONE 1 INPUT HI

HYBRID 4 OUTPUT SH  
 HYBRID 4 OUTPUT SH  
 HYBRID 3 OUTPUT SH  
 HYBRID 3 OUTPUT SH  
 HYBRID 2 OUTPUT SH  
 HYBRID 2 OUTPUT SH  
 HYBRID 1 OUTPUT SH  
 HYBRID 1 OUTPUT SH  
 HYBRID 4 INS IN LO  
 HYBRID 3 INS IN LO  
 HYBRID 2 INS IN LO  
 HYBRID 1 INS IN LO



N/C

HYBRID 4 OUTPUT LO  
 HYBRID 4 OUTPUT HI  
 HYBRID 3 OUTPUT LO  
 HYBRID 3 OUTPUT HI  
 HYBRID 2 OUTPUT LO  
 HYBRID 2 OUTPUT HI  
 HYBRID 1 OUTPUT LO  
 HYBRID 1 OUTPUT HI  
 HYBRID 4 INS IN HI  
 HYBRID 3 INS IN HI  
 HYBRID 2 INS IN HI  
 HYBRID 1 INS IN HI

## LOWER

MXM-500 MIX-MINUS

A-500a RADIO ON-AIR CONSOLE

10-4-88

 Wheatstone Corporation  
 6720 V.I.P. Parkway  
 Syracuse, NY. 13211

MS

NO SCALE

DB-25 CONNECTOR PINOUTS

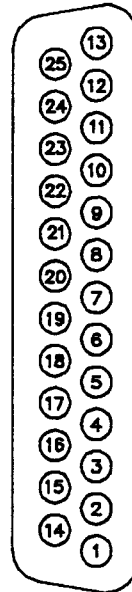


# LS-500 STEREO LINE SELECT

DB-25 I/O CONNECTORS (VIEWED FROM UNDERNEATH CONSOLE)

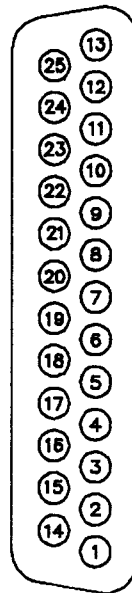
## UPPER

AUDIO COMMON  
 LEFT OUTPUT LO  
 LINE 4 RT IN LO  
 LINE 4 IN SH  
 LINE 4 LT IN HI  
 LINE 3 RT IN HI  
 LINE 3 LT IN LO  
 LINE 2 RT IN LO  
 LINE 2 IN SH  
 LINE 2 LT IN HI  
 LINE 1 RT IN HI  
 LINE 1 LT IN LO



N/C  
 LEFT OUTPUT SH  
 LEFT OUTPUT HI  
 LINE 4 RT IN HI  
 LINE 4 LT IN LO  
 LINE 3 RT IN LO  
 LINE 3 IN SH  
 LINE 3 LT IN HI  
 LINE 2 RT IN HI  
 LINE 2 LT IN LO  
 LINE 1 RT IN LO  
 LINE 1 IN SH  
 LINE 1 LT IN HI

AUDIO COMMON  
 RIGHT OUTPUT LO  
 LINE 8 RT IN LO  
 LINE 8 IN SH  
 LINE 8 LT IN HI  
 LINE 7 RT IN HI  
 LINE 7 LT IN LO  
 LINE 6 RT IN LO  
 LINE 6 IN SH  
 LINE 6 LT IN HI  
 LINE 5 RT IN HI  
 LINE 5 LT IN LO



N/C  
 RIGHT OUTPUT SH  
 RIGHT OUTPUT HI  
 LINE 8 RT IN HI  
 LINE 8 LT IN LO  
 LINE 7 RT IN LO  
 LINE 7 IN SH  
 LINE 7 LT IN HI  
 LINE 6 RT IN HI  
 LINE 6 LT IN LO  
 LINE 5 RT IN LO  
 LINE 5 IN SH  
 LINE 5 LT IN HI

## LOWER

LS-500 STEREO LINE SELECT

A-500a RADIO ON-AIR CONSOLE

10-4-88

 Wheatstone Corporation  
 6720 V.I.P. Parkway  
 Syracuse, NY. 13211

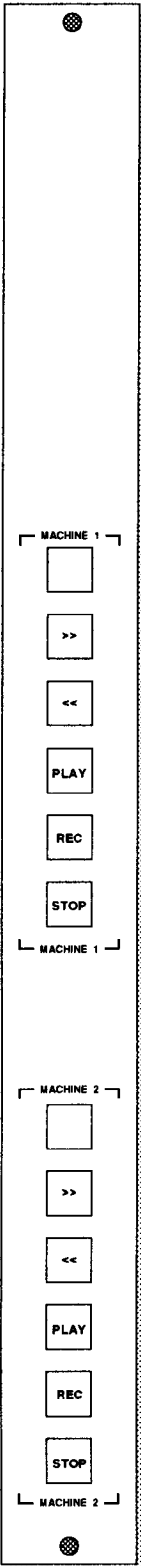
MS

NO SCALE

DB-25 CONNECTOR PINOUTS

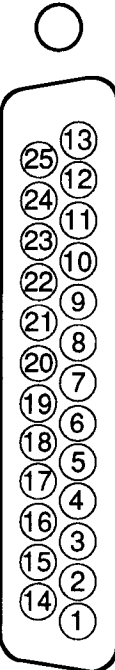
# TR-500 Tape Remote Module

## DB Connector Pinouts



- 1A
- 2A
- 3A
- 4A
- 5A
- 6A

SW 6A COM  
 SW 6A LED-  
 SW 5A COM  
 SW 5A LED-  
 SW 4A COM  
 SW 4A LED-  
 SW 3A COM  
 SW 3A LED-  
 SW 2A COM  
 SW 2A LED-  
 SW 1A COM  
 SW 1A LED-

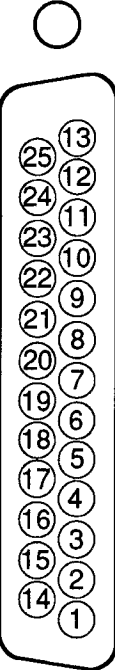


N/C  
 SW 6A N.O.  
 SW 6A LED+  
 SW 5A N.O.  
 SW 5A LED+  
 SW 4A N.O.  
 SW 4A LED+  
 SW 3A N.O.  
 SW 3A LED+  
 SW 2A N.O.  
 SW 2A LED+  
 SW 1A N.O.  
 SW 1A LED+

**I/O PORTS  
 (Upper DB-25)**

- 1B
- 2B
- 3B
- 4B
- 5B
- 6B

SW 6B COM  
 SW 6B LED-  
 SW 5B COM  
 SW 5B LED-  
 SW 4B COM  
 SW 4B LED-  
 SW 3B COM  
 SW 3B LED-  
 SW 2B COM  
 SW 2B LED-  
 SW 1B COM  
 SW 1B LED-



N/C  
 SW 6B N.O.  
 SW 6B LED+  
 SW 5B N.O.  
 SW 5B LED+  
 SW 4B N.O.  
 SW 4B LED+  
 SW 3B N.O.  
 SW 3B LED+  
 SW 2B N.O.  
 SW 2B LED+  
 SW 1B N.O.  
 SW 1B LED+

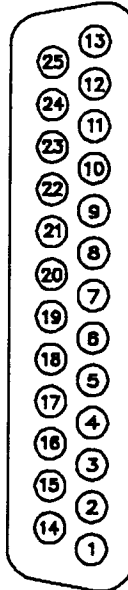
**I/O PORTS  
 (Lower DB-25)**

# OL-500 OFF-LINE

DB-25 I/O CONNECTORS (VIEWED FROM UNDERNEATH CONSOLE)

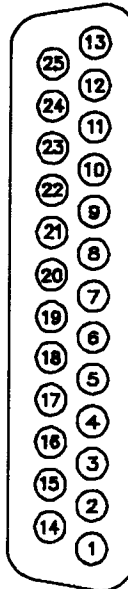
## UPPER

INPUT 8 SH  
 INPUT 8 HI  
 INPUT 7 LO  
 INPUT 6 SH  
 INPUT 6 HI  
 INPUT 5 LO  
 INPUT 4 SH  
 INPUT 4 HI  
 INPUT 3 LO  
 INPUT 2 SH  
 INPUT 2 HI  
 INPUT 1 LO



N/C  
 INPUT 8 LO  
 INPUT 7 SH  
 INPUT 7 HI  
 INPUT 6 LO  
 INPUT 5 SH  
 INPUT 5 HI  
 INPUT 4 LO  
 INPUT 3 SH  
 INPUT 3 HI  
 INPUT 2 LO  
 INPUT 1 SH  
 INPUT 1 HI

N/C  
 EXTERNAL CUE  
 REMOTE COMMON  
 EXTERNAL OFF  
 EXTERNAL ON  
 +D  
 OUTPUT SH  
 OUTPUT HI  
 INPUT 11 LO  
 INPUT 10 SH  
 INPUT 10 HI  
 INPUT 9 LO



N/C  
 N/C  
 REMOTE STOP  
 REMOTE START  
 EXTERNAL SOURCE  
 DIGITAL COMMON  
 DIGITAL COMMON  
 OUTPUT LO  
 INPUT 11 SH  
 INPUT 11 HI  
 INPUT 10 LO  
 INPUT 9 SH  
 INPUT 9 HI

## LOWER

OL-500 OFF-LINE

A-500a RADIO ON-AIR CONSOLE

11-22-89

Wheatstone Corporation  
 6720 V.I.P. Parkway  
 Syracuse, NY. 13211

CAZ

REVISED

MODULE CONNECTIONS

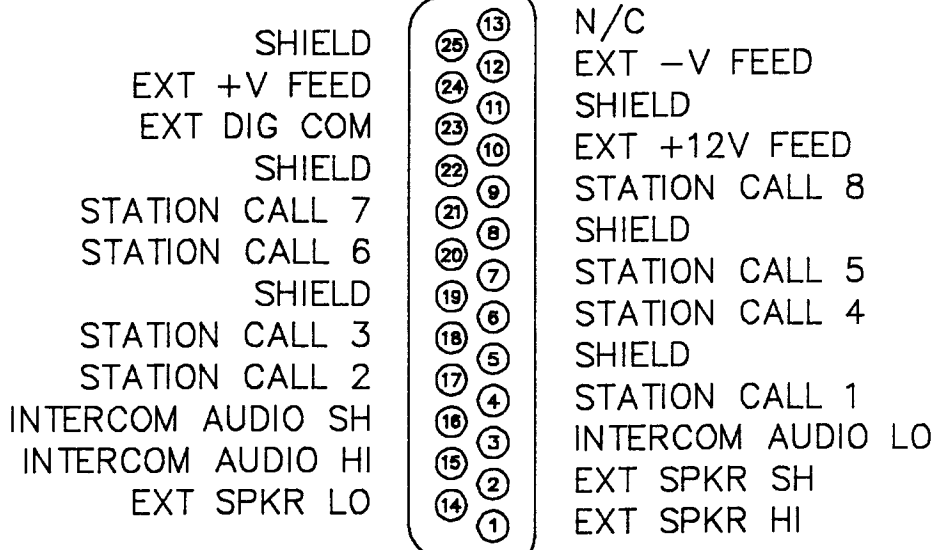
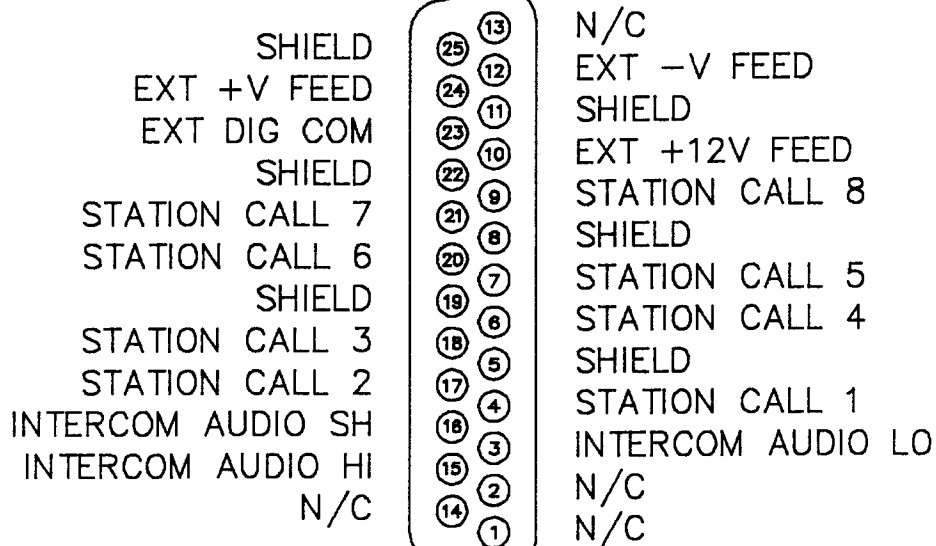
DO NOT SCALE

DB-25 CONNECTOR PINOUTS

# ICM-500 INTERCOM

DB-25 I/O CONNECTORS (VIEWED FROM UNDERNEATH CONSOLE)

## UPPER (INPUT)



## LOWER (OUTPUT)

**NOTE:** EXT +V, EXT -V, and EXT +12V feeds are available only when 10 ohm resistors have been installed at the appropriate jumper locations on the module circuit board. See ICM-500 module schematic

ICM-500 INTERCOM

A-500a RADIO ON-AIR CONSOLE

11-27-89

Wheatstone Corporation  
6720 V.I.P. Parkway  
Syracuse, NY. 13211

CAZ

MODULE CONNECTIONS

DO NOT SCALE

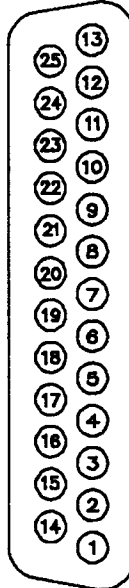
DB-25 CONNECTOR PINOUTS

# MP-500 MULTI-PHONE

DB-25 I/O CONNECTORS (VIEWED FROM UNDERNEATH CONSOLE)

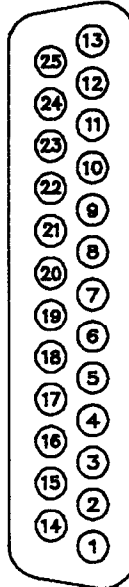
## UPPER

MIC INSERT IN SH  
 MIC INSERT IN HI  
 MIC INSERT OUT LO  
 HYBRID INPUT 3 SH  
 HYBRID INPUT 3 HI  
 HYBRID INPUT 2 LO  
 HYBRID INPUT 1 SH  
 HYBRID INPUT 1 HI  
 MIC INPUT 3 LO  
 MIC INPUT 2 SH  
 MIC INPUT 2 HI  
 MIC INPUT 1 LO



N/C  
 MIC INSERT IN LO  
 MIC INSERT OUT SH  
 MIC INSERT OUT HI  
 HYBRID INPUT 3 LO  
 HYBRID INPUT 2 SH  
 HYBRID INPUT 2 HI  
 HYBRID INPUT 1 LO  
 MIC INPUT 3 SH  
 MIC INPUT 3 HI  
 MIC INPUT 2 LO  
 MIC INPUT 1 SH  
 MIC INPUT 1 HI

N/C  
 RECORD  
 CONTROL COMMON  
 PGM OUTPUT SH  
 PGM OUTPUT HI  
 SUM MICS LO  
 SUM CALLERS SH  
 SUM CALLERS HI  
 HYBRID OUTPUT 3 LO  
 HYBRID OUTPUT 2 SH  
 HYBRID OUTPUT 2 HI  
 HYBRID OUTPUT 1 LO



N/C  
 N/C  
 PLAY  
 STOP  
 PGM OUTPUT LO  
 SUM MICS SH  
 SUM MICS HI  
 SUM CALLERS LO  
 HYBRID OUTPUT 3 SH  
 HYBRID OUTPUT 3 HI  
 HYBRID OUTPUT 2 LO  
 HYBRID OUTPUT 1 SH  
 HYBRID OUTPUT 1 HI

## LOWER

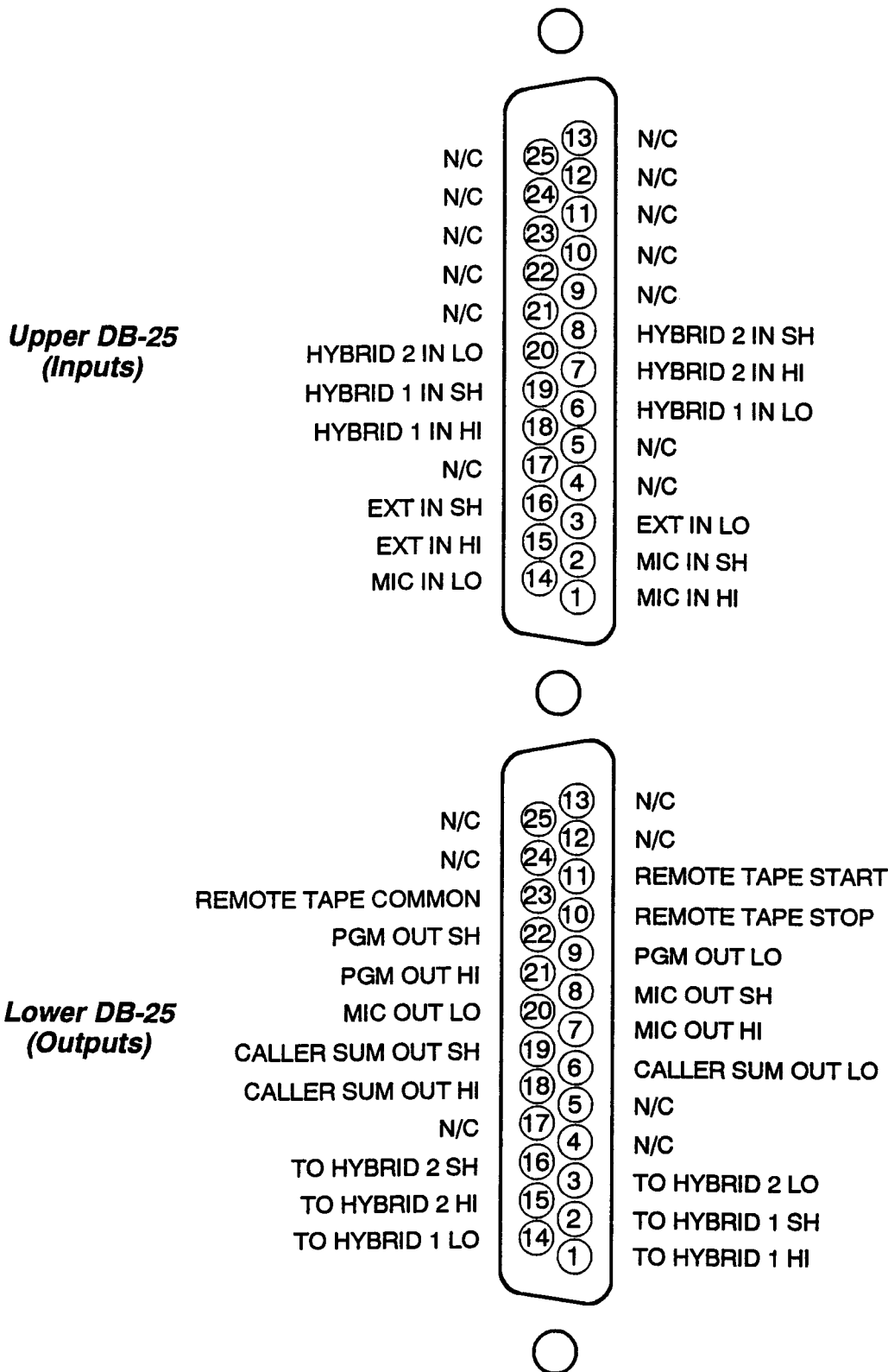
### MP-500 MULTI-PHONE

A-500a RADIO ON-AIR CONSOLE

11-16-89	Wheatstone Corporation 6720 V.I.P. Parkway Syracuse, NY. 13211
CAZ	
	MODULE CONNECTIONS
DO NOT SCALE	DB-25 CONNECTOR PINOUTS

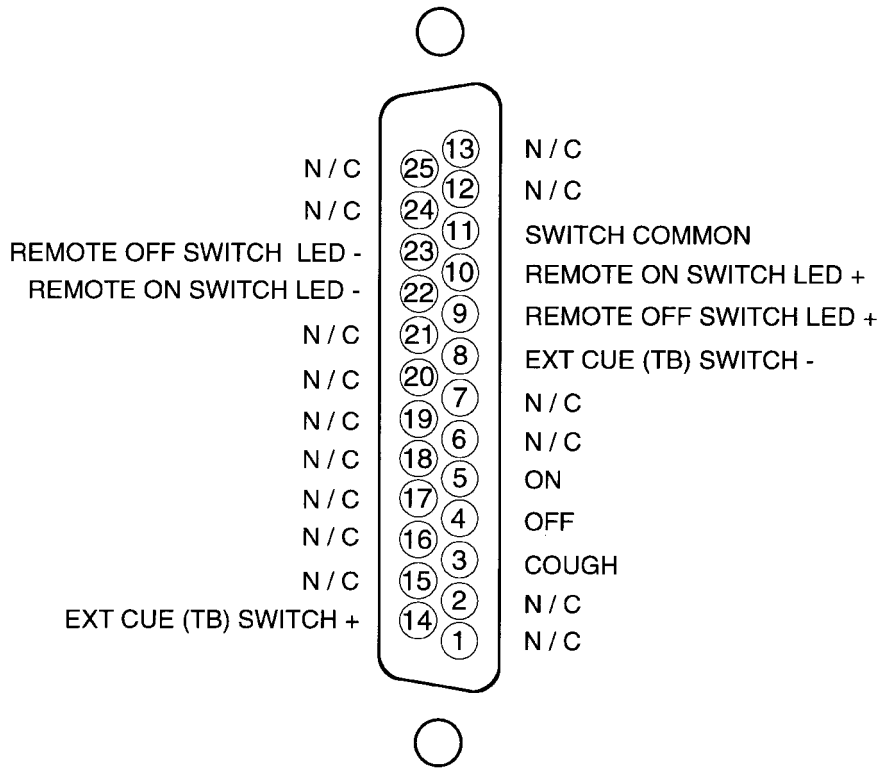
# SPN-500 SUPERPHONE MODULE

## DB-25 I/O Connector Pinouts



# ANP-5 ANNOUNCER PANEL

## DB-25 Connector Pinout



### NOTES:

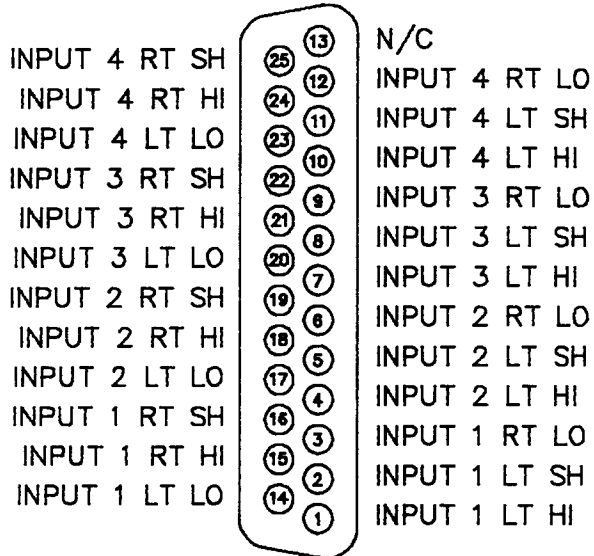
- (1) These connector diagrams refer to connector pin numbers as molded in DB-25 connector shells. Actual pin orientation will vary depending on view. This drawing shows rear view of mating (male) connector to mount on the multi-conductor cable.
- (2) The correct LED polarity must be observed for the LEDs to light.
- (3) The LEDs are only available in 5V version. When using the panel with mic modules having a higher LED tally voltage (ex: MM-500 in the A-500 supplies 12V) it will be necessary to modify the panel wiring to add a resistor of an appropriate value in series with each LED.
- (4) The TB switch has a tantalum capacitor across its terminals; therefore, you must observe the polarity indicated when wiring this switch to the mic module.

 Wheatstone Corporation

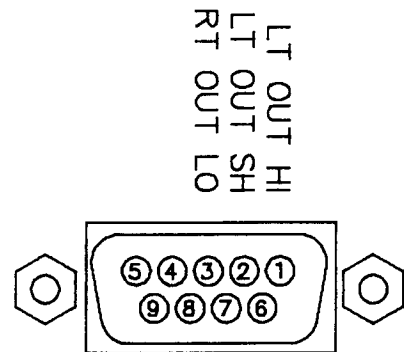
600 Industrial Drive, New Bern, NC. (252-638-7000 / fax 252-638-1285)

# STUDIO REMOTE SOURCE SELECT PANEL

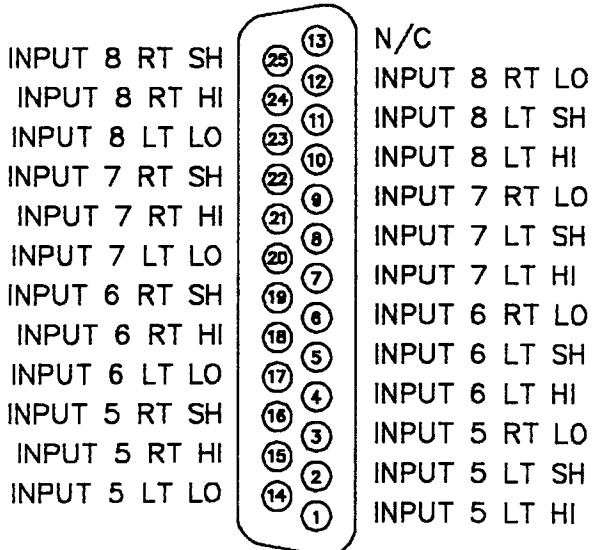
## I/O CONNECTOR PINOUTS



DB-25 CONNECTOR "A"  
(INPUTS 1 THRU 4)



LT OUT HI  
LT OUT SH  
RT OUT LO



DB-25 CONNECTOR "B"  
(INPUTS 5 THRU 8)

LT OUT HI  
RT OUT SH  
RT OUT LO

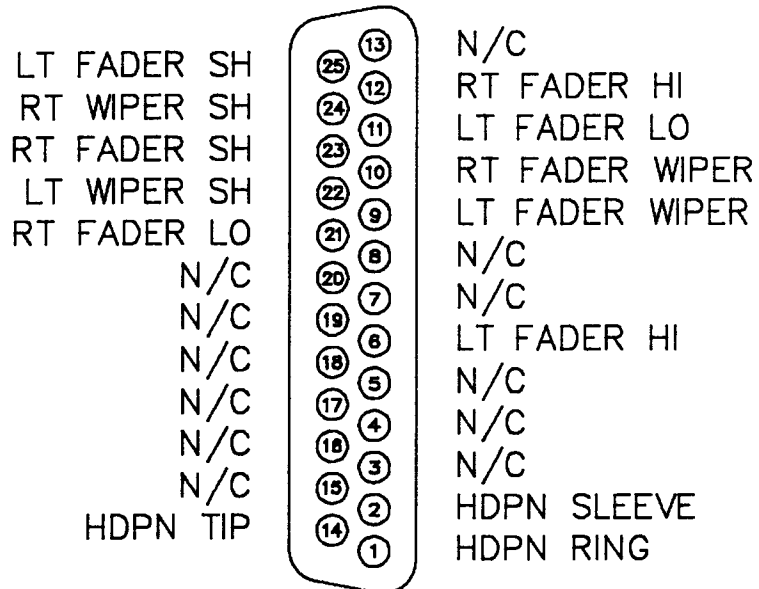
DB-9 OUTPUT

SR-5 STUDIO PANEL		
A-500a RADIO ON-AIR CONSOLE		
8-14-89	Wheatstone Corporation	
CAZ	6720 V.I.P. Parkway Syracuse, NY. 13211	
	TURRET CONNECTIONS	
REVISED	SR-5	#A500/DB-25



# LP-5 LISTEN PANEL

DB-25 I/O CONNECTOR



NOTE: THESE CONNECTOR DIAGRAMS REFER TO CONNECTOR PIN NUMBERS AS MOLDED IN DB-25 CONNECTOR SHELLS. ACTUAL PIN ORIENTATION WILL VARY DEPENDING ON VIEW. THIS DRAWING SHOWS REAR VIEW OF MATING (MALE) CONNECTOR TO MOUNT ON THE MULTI-CONDUCTOR CABLE.

LP-5 LISTEN PANEL

A-500a RADIO ON-AIR CONSOLE

11-28-89

Wheatstone Corporation  
6720 V.I.P. Parkway  
Syracuse, NY. 13211

CAZ

TURRET CONNECTIONS

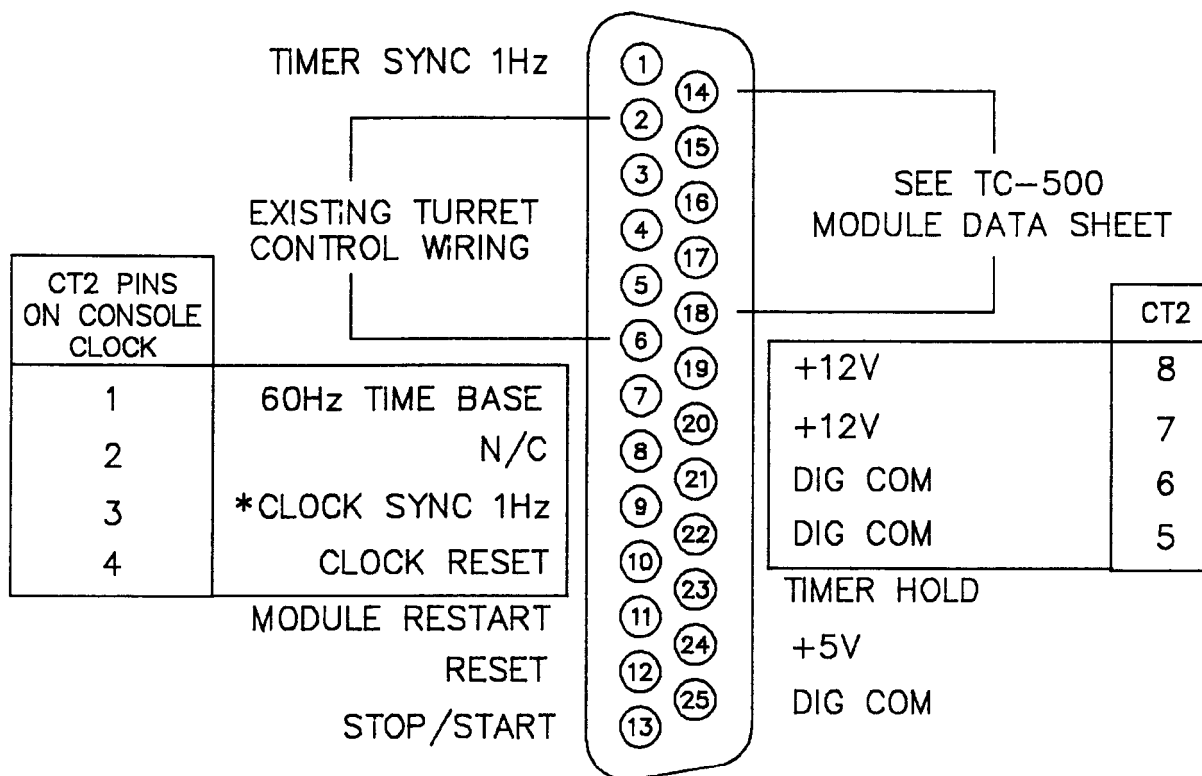
DO NOT SCALE

LP-5

#A500/DB-25

# TURRET CLOCK/TIMER INTERFACE

## SLAVED TIMER WITH PARALLELED TIMER CONTROL

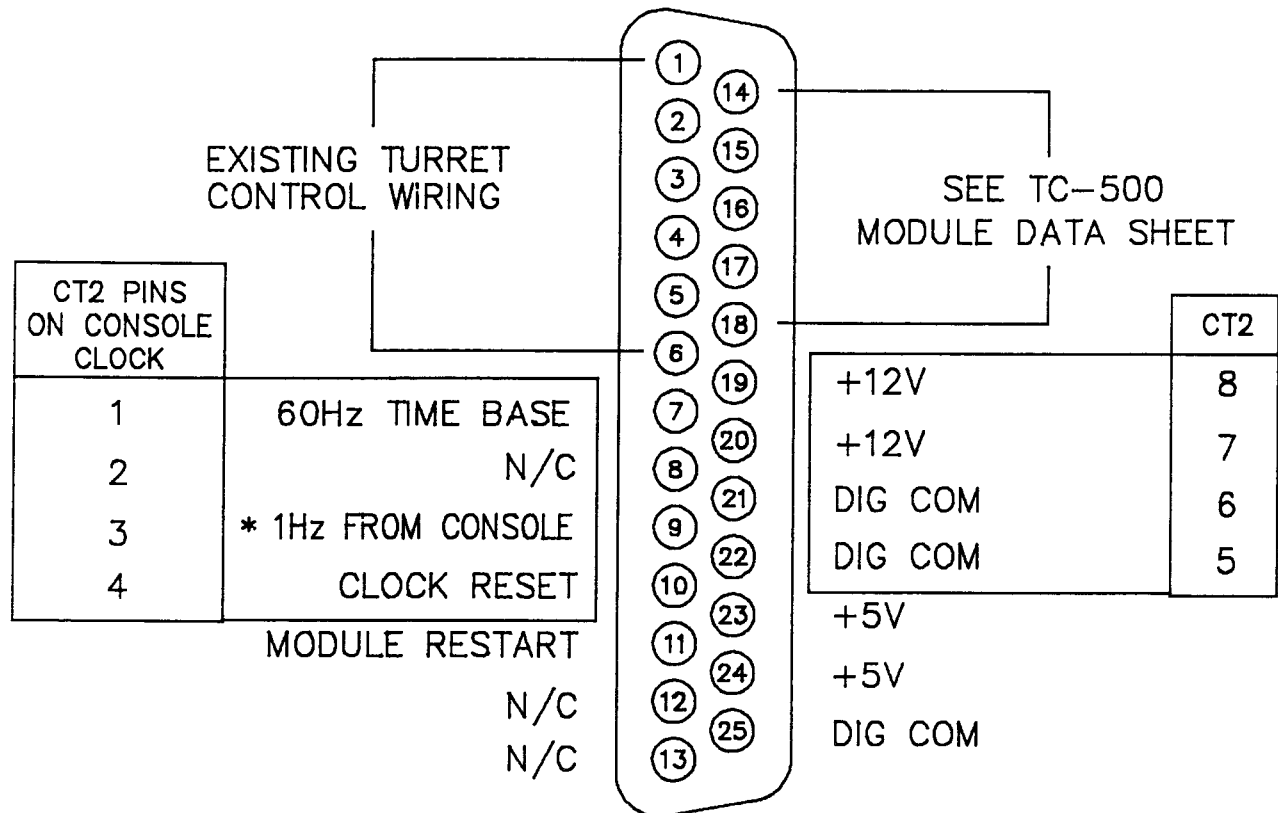


CONNECTOR IS LOCATED IN UPPER POSITION OF SC-500 (OR TC-500) MODULE SLOT IN THE CONSOLE MAINFRAME.

\* TURRET WIRING NOTE: 1Hz, ON PIN 9 AT CONSOLE, TERMINATES ON PIN 8 AT THE TURRET HOUSING DB-25

<i>STUDIO TURRET CONNECTIONS</i>	
<i>A-500a RADIO ON-AIR CONSOLE</i>	
7-26-89	Wheatstone Corporation
CAZ per PP	6720 V.I.P. Parkway Syracuse, NY. 13211
CONSOLE DB-25 CONNECTOR PINOUT	
SLAVED STUDIO CLOCK/TIMER	

# TURRET CLOCK/TIMER INTERFACE



CONNECTOR IS LOCATED IN UPPER POSITION OF SC-500 (OR TC-500) MODULE SLOT IN THE CONSOLE MAINFRAME.

\* TURRET WIRING NOTE: 1Hz, ON PIN 9 AT CONSOLE, TERMINATES ON PIN 8 AT THE TURRET HOUSING DB-25

<i>STUDIO TURRET CONNECTIONS</i>	
<i>A-500a RADIO ON-AIR CONSOLE</i>	
7-26-89	<b>Wheatstone Corporation</b> 6720 V.I.P. Parkway Syracuse, NY. 13211
CAZ per PP	
<b>CONSOLE DB-25 CONNECTOR PINOUT</b>	
<b>INDEPENDENT STUDIO CLOCK/TIMER</b>	